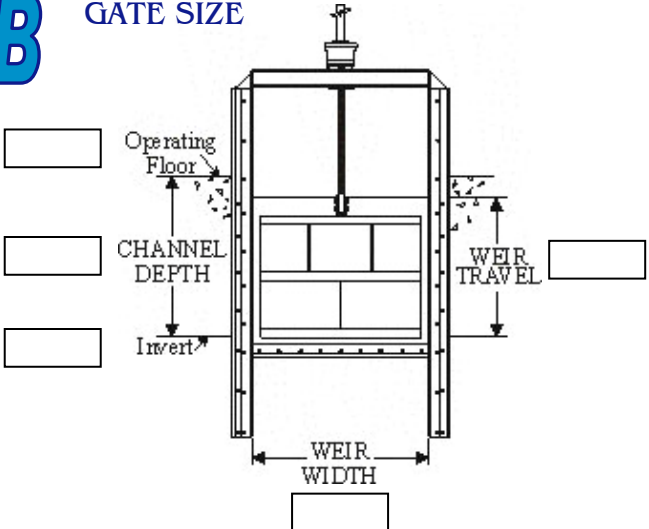


**A** PROJECT : \_\_\_\_\_  
 ITEM #: \_\_\_\_\_

QTY OF GATES REQUIRED : \_\_\_\_\_

MATERIAL :  304 L SS  
 316 L SS  
 ALUMINUM  
 OTHER: \_\_\_\_\_

**B** GATE SIZE



Operating Floor

CHANNEL DEPTH

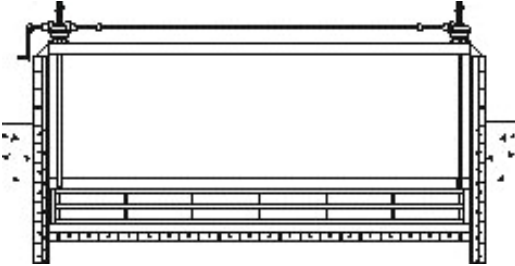
Invert

WEIR TRAVEL

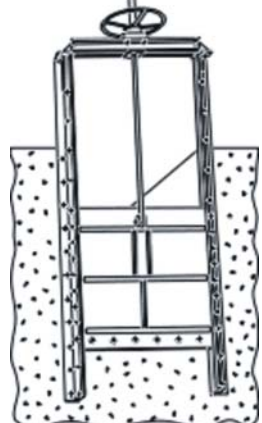
WEIR WIDTH

**C** REMARKS

**D** STEM ARRANGEMENT

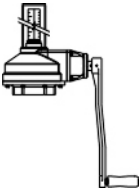
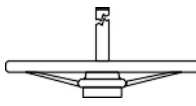



DUAL STEM ARRANGEMENT



TYPICAL WEIR

**E** HOIST REQUIREMENTS

MANUAL →  HAND CRANK     HAND WHEEL     SQUARE NUT

ELECTRIC → VOLTS: \_\_\_\_\_ PHASE: \_\_\_\_\_ CYCLES: \_\_\_\_\_

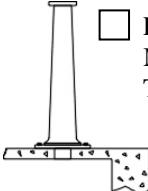
CYLINDER →  OIL     WATER     AIR    OPERATING PRESSURE (PSI) \_\_\_\_\_

**STEM COVER**  
 CLEAR POLYCARBONATE  
 GALVANIZED STEEL


**POSITION INDICATOR**  
 MYLAR STRIP  
 COUNTER (for non-rising only)

**STEM CONFIGURATION**  
 RISING STEM  
 NON-RISING STEM

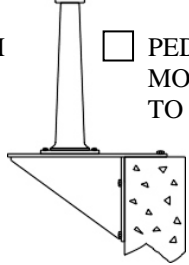
**F** LIFT MOUNTING



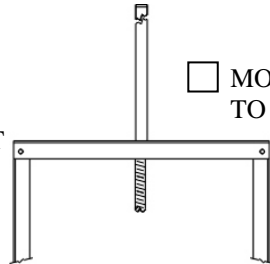
PEDESTAL MOUNTED TO SLAB



T-WRENCH



PEDESTAL MOUNTED TO BRACKET



MOUNTED TO YOKE